



FastSeal™ Vascular Access Closure System

Bioabsorbable Plug Version

Entire Contents Copyright © 2010 Vascular Closure Systems, Inc. All rights reserved.

Presentation includes devices, systems and methods contained within Pending, Allowed and / or Issued patents.

Proprietary



Competitive System Prices

	<u>Est. Average System Price</u>	<u>Est. Current Yearly Sales</u>
St. Jude Medical Angio-Seal	\$225.	\$368 MM
Abbott Vascular Perclose A-T	\$220.	\$120 MM
Abbott Vascular StarClose	\$225.	\$45 MM
AccessClosure Mynx	\$245.	\$32 MM
Our Bioabsorbable Plug System	< \$150.	
Est. Cost of Goods Sold (COGS)	< \$25.	

Proprietary



Medical Advisors

- Alessandro Bortone, M.D., PhD, F.E.S.C., F.A.H.A., F.A.C.C.
 - Chief of Interventional Laboratory, Institute of Cardiac Surgery, Policlinico di Bari. University of Bari School of Medicine (IT);
 - Over 28 years experience in interventional cardiology and minimally invasive cardiovascular techniques;
 - Member of the council on clinical cardiology and cardiovascular and radiology intervention for the American Heart Association (AHA).

- Antonio Colombo, M.D., F.A.C.C.
 - Director of the Cardiac Catheterization Laboratory at EMO Centro Cuore Columbus Hospital, Milano (IT) and Chief of Invasive Cardiology at San Raffaele Hospital, Milano (IT) and is currently visiting professor at Columbia University School of Medicine (New York) NY.

- Charles J. Davidson, M.D., F.A.C.C., F.S.C.A.I.
 - Director of Interventional Cardiology Program, Professor of Medicine, Northwestern University Medical School;
 - Chief, Cardiac Catheterization Laboratories, Northwestern Memorial Hospital, Chicago.

Proprietary



Medical Advisors (continued)

- Corrado Tamburino, M.D., PhD, F.E.S.C., F.S.C.A.I., F.S.I.C.I. – GISE
 - Director of the Postgraduate School of Cardiology;
 - Chief of the Cardiovascular Department at Ferrarotto Hospital, Catania University (IT);

- Carlo Pappone - M.D., PhD, F.A.C.C.
 - Director, Department of Cardiology, Electrophysiology and Cardiac Pacing Unit, San Raffaele Scientific Institute, San Raffaele University Hospital, Milano (IT).



FastSeal™ Vascular Access Closure System Bioabsorbable Plug System

Material Supplier Has Granted Us the
Use of Their Master File for Regulatory Submissions

No Material License or Royalty Required

Proprietary



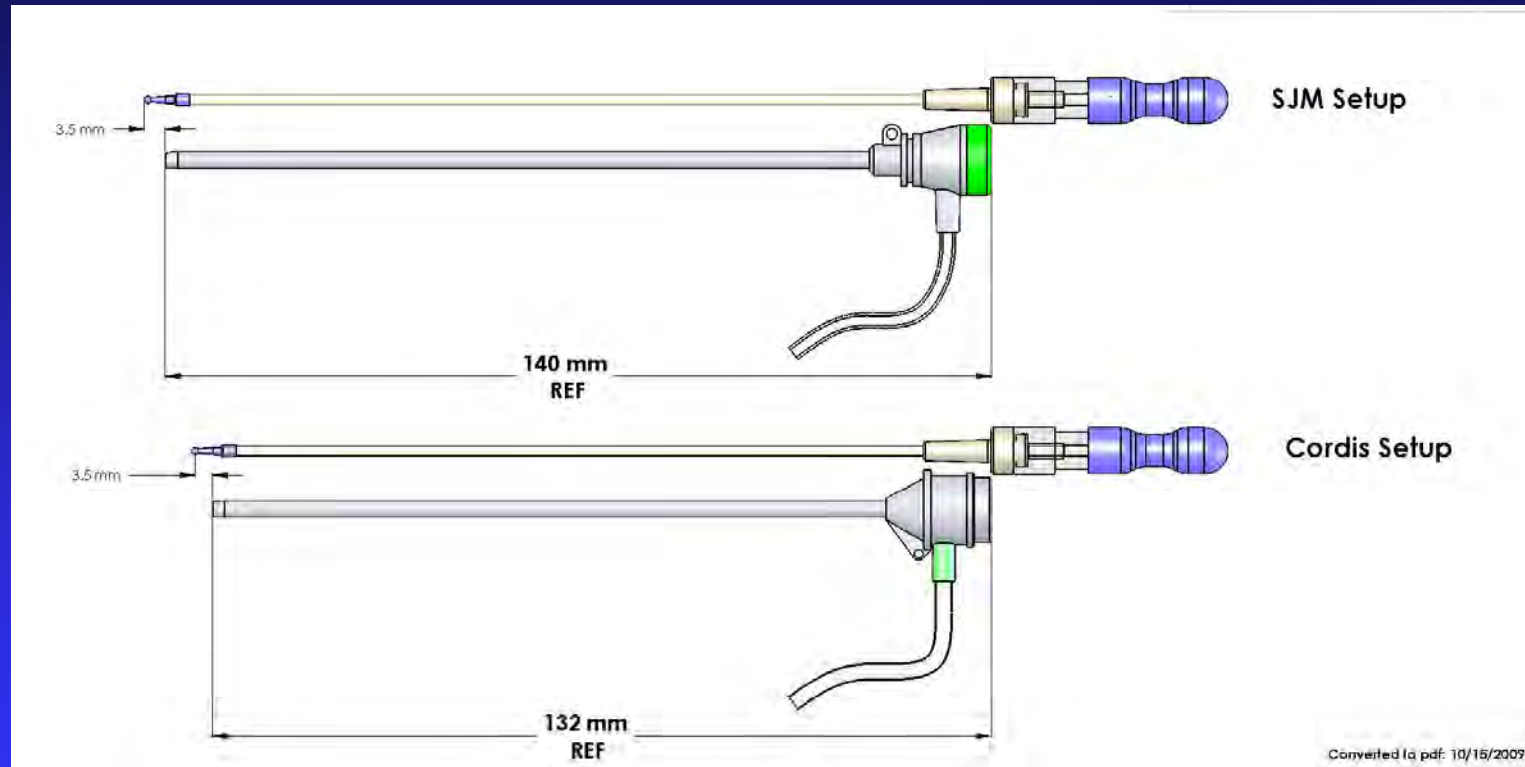
VASCULAR
CLOSURE SYSTEMS, INC.
www.vclosure.com



System Components:

Deployment Capsule with Bioabsorbable Plug and
Advancement Plunger
(exploded view)

Proprietary



Plunger length is specific to the particular introducer sheath that will be used during the procedure

Proprietary



VASCULAR
CLOSURE SYSTEMS, INC.
www.vclosure.com



Deployment Capsule with Bioabsorbable Plug Contained Within

Proprietary



VASCULAR
CLOSURE SYSTEMS, INC.
www.vclosure.com



Deployment Capsule with Bioabsorbable Plug Shown Inserted into
Standard Vascular Introducer Sheath
(also shown with advancement plunger inserted
into the proximal end of the capsule)

Proprietary



VASCULAR
CLOSURE SYSTEMS, INC.
www.vclosure.com



Bioabsorbable Plug

Single Piece with Inner and Outer Vessel Contact Surfaces

Proprietary



VASCULAR
CLOSURE SYSTEMS, INC.
www.vclosure.com



Bioabsorbable Plug System

Plug shown partially deployed with inner vessel contact surface extended past the end of the introducer sheath

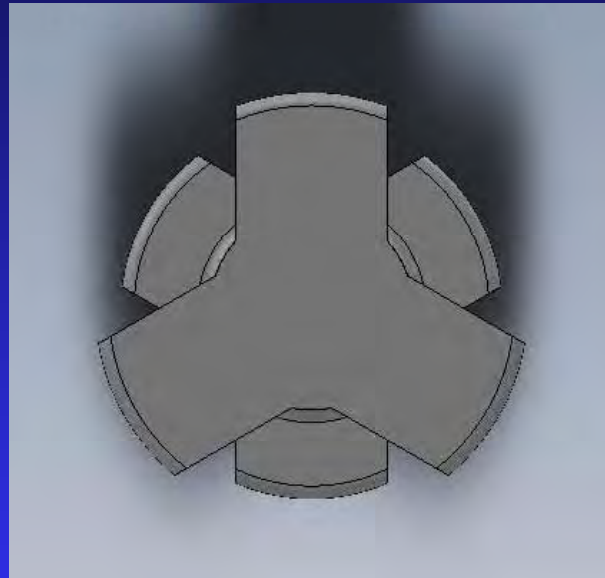
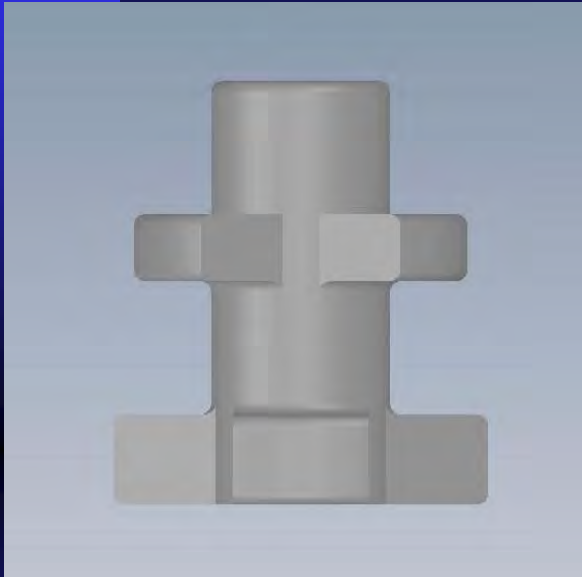
Proprietary



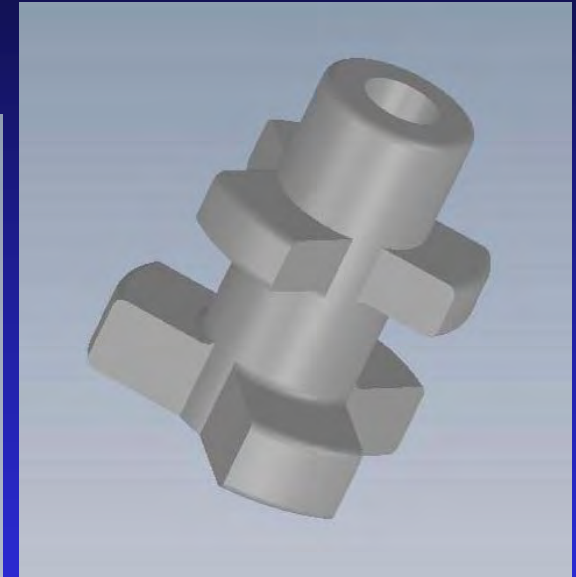
FastSeal™ Vascular Access Closure System Bioabsorbable Plug System

Additional Representative Plug Designs

Proprietary



Bottom View



Bioabsorbable Plug

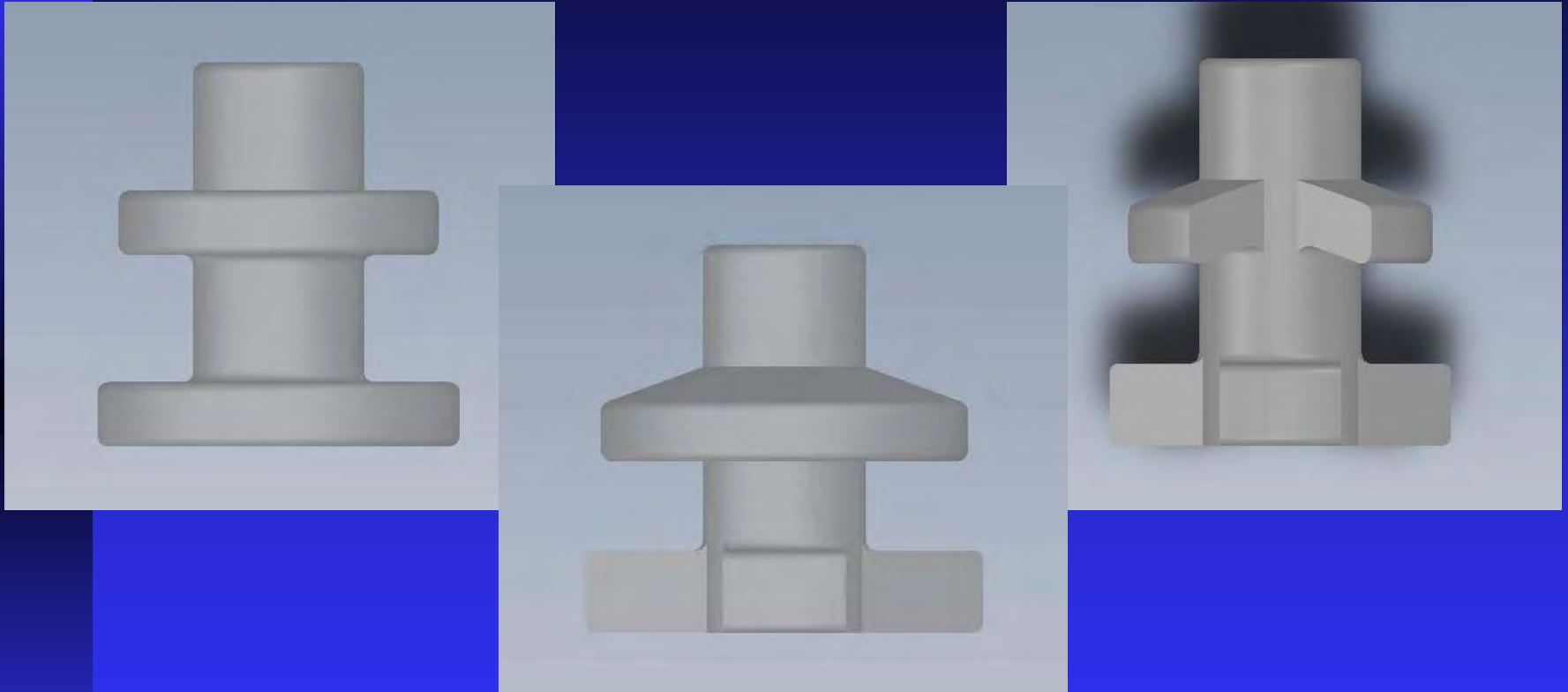
(Formed Collagen, PEG, PGA, PLLA, PLGA, or other suitable material)

Single Piece with Inner and Outer Vessel Contacting Surfaces / Compression Elements

Proprietary



VASCULAR
CLOSURE SYSTEMS, INC.
www.vclosure.com



Bioabsorbable Plug – Examples of Additional Designs

Proprietary



Pre-Clinical Bench Tests

Bioabsorbable Plug System

The Videos are Available to View at the Following Links:

<http://vclosure.com/fastsealpressurized.php>

<http://vclosure.com/VClosure6Ftestdeployment.php>

<http://vclosure.com/VClosure8Ftestdeployment.php>

Proprietary



Pre-Clinical *In Vivo* Study

Bioabsorbable Plug System

The Video is Available to View at the Following Link:

<http://vclosure.com/fastsealpreclinical.php>

Proprietary



Intellectual Property

Proprietary



Intellectual Property

- IP Summary
 - Patent Filing Dates: April 2001
 - Priority date significantly earlier.
 - Two Issued Patents
 - 7,025,776 - Arteriotomy Closure Device and Techniques
 - IDS included over 50 patents
 - Including patents from Core Medical, Inc., Medical Technology Group, Inc., Datascope, Ethicon, Vascular Solutions, Sub-Q, Inc., Boston Scientific Corp, etc.
 - 6,726,696 - Patches and Collars for Medical Applications and Methods of Use
 - Thirteen Additional Pending Patents
 - Including Continuation cases and CIP cases, using the issued patents as priority documents (enabling IP filing date priority to pre 2001)

Proprietary



Intellectual Property

■ IP Summary (Continued)

■ Published US Patent Applications

<u>Application Number</u>	<u>Date Published</u>	<u>Filing Priority Date</u>	<u>Claims Focus</u>
20090143808	6/04/09	4/24/01	Guided, Slidable Tissue Cutter
20090143789	6/04/09	12/03/07	Nitinol Clips
20090005777	1/01/09	4/24/01	Thermal Closure
20080114394	5/15/08	4/24/01	Nitinol Clips
20080109030	5/08/08	4/24/01	Swellable, Bioabsorbable Tubular Plug

■ Claims Focus of Pending Patent Applications

- Bioabsorbable Plugs
- Nitinol Clips
- Nitinol Clips

Proprietary



Intellectual Property

- IP Summary (Continued)
 - Key patents (issued and pending) reviewed in detail
 - Independent claim analysis performed on all relevant IP
 - Strong patent position – including when compared to
 - Integrated Vascular Systems, Inc.
(Acquired by Abbott Vascular for \$65 million +)
 - Nitinol Clip Technology
 - Core Medical, Inc. / Ensure Medical, Inc.
(Acquired by Cordis for \$52 million +)
 - Swellable Plug Technology
 - Both companies listed above were acquired without US regulatory approval
 - AccessClosure, Inc.
(Published valuation: \$103 million +)
 - Swellable Tubular Plug Technology

Proprietary



www.vclosure.com

Entire Contents Copyright © 2010 Vascular Closure Systems, Inc. All rights reserved.

Proprietary